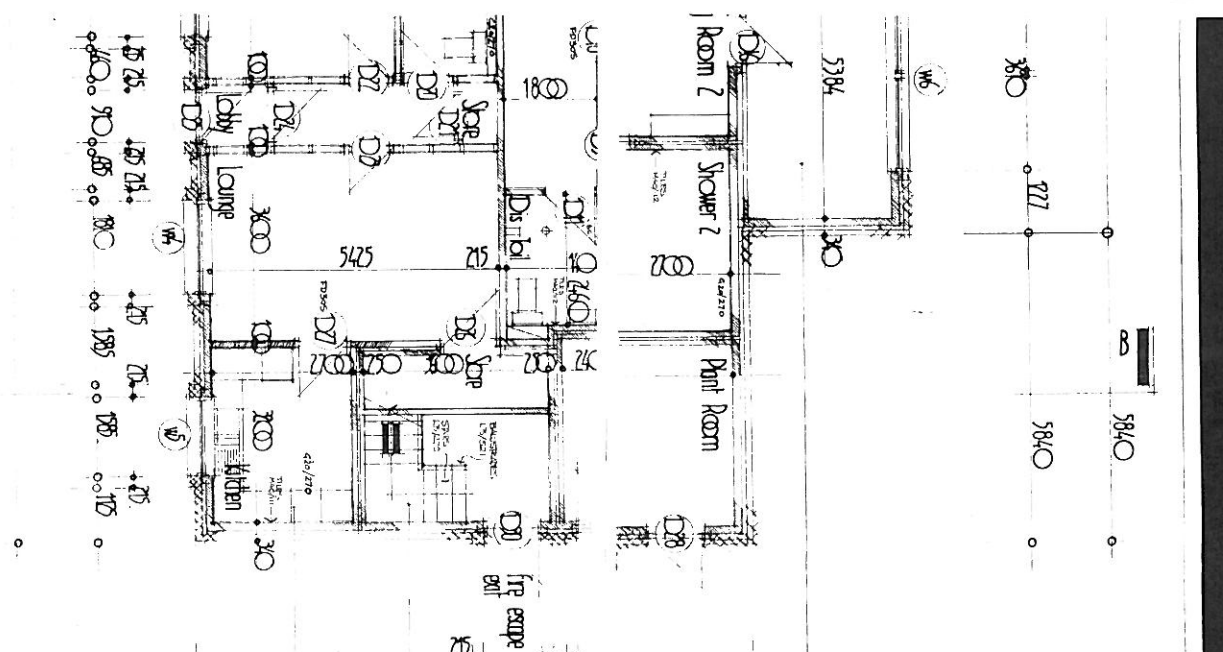
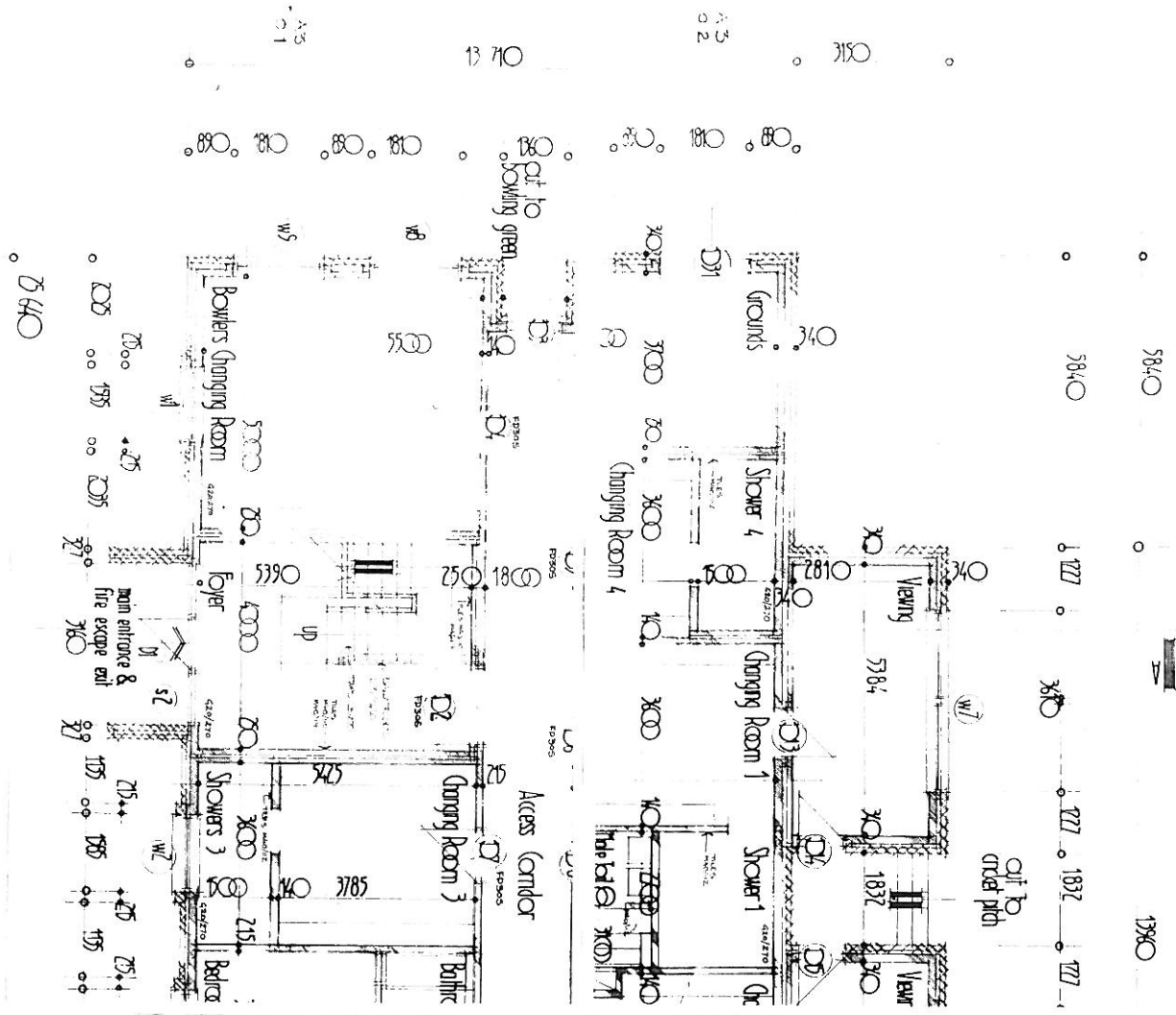


AREA B TO BE CONVERTED  
FOR AIR CRICOTE CLUB  
40102 m<sup>2</sup>  
JOF. Hardy.

NOTE: THE PLAN DOES NOT SHOW THE LOCATION OF THE CLUB BUILDING OR THE POSITION OF THE CLUB HOUSE AND THE MATCH

DATE	190	190	190
BY	JOF. Hardy	JOF. Hardy	JOF. Hardy
SCALE	1:100	1:100	1:100
PROJECT	AREA B TO BE CONVERTED FOR AIR CRICOTE CLUB	AREA B TO BE CONVERTED FOR AIR CRICOTE CLUB	AREA B TO BE CONVERTED FOR AIR CRICOTE CLUB
CLIENT	THE AIR CRICOTE CLUB	THE AIR CRICOTE CLUB	THE AIR CRICOTE CLUB
LOCATION	UPPER CROTTIS, ALLOWAY ROAD	UPPER CROTTIS, ALLOWAY ROAD	UPPER CROTTIS, ALLOWAY ROAD

GRABER  
TMS 1  
M 1  
1270  
DATA  
DUNBAR  
OF 10



**SOUTH AUSTRALIAN COUNCIL**  
 Approved under the Building (Planning Act)  
 1953 and 1970 in accordance with the plan  
 submitted.  
 SOUTH AUSTRALIAN REG. NO. 1000  
 ONE

DRAWINGS TO BE READ IN  
 CONJUNCTION WITH THIS DRAWING

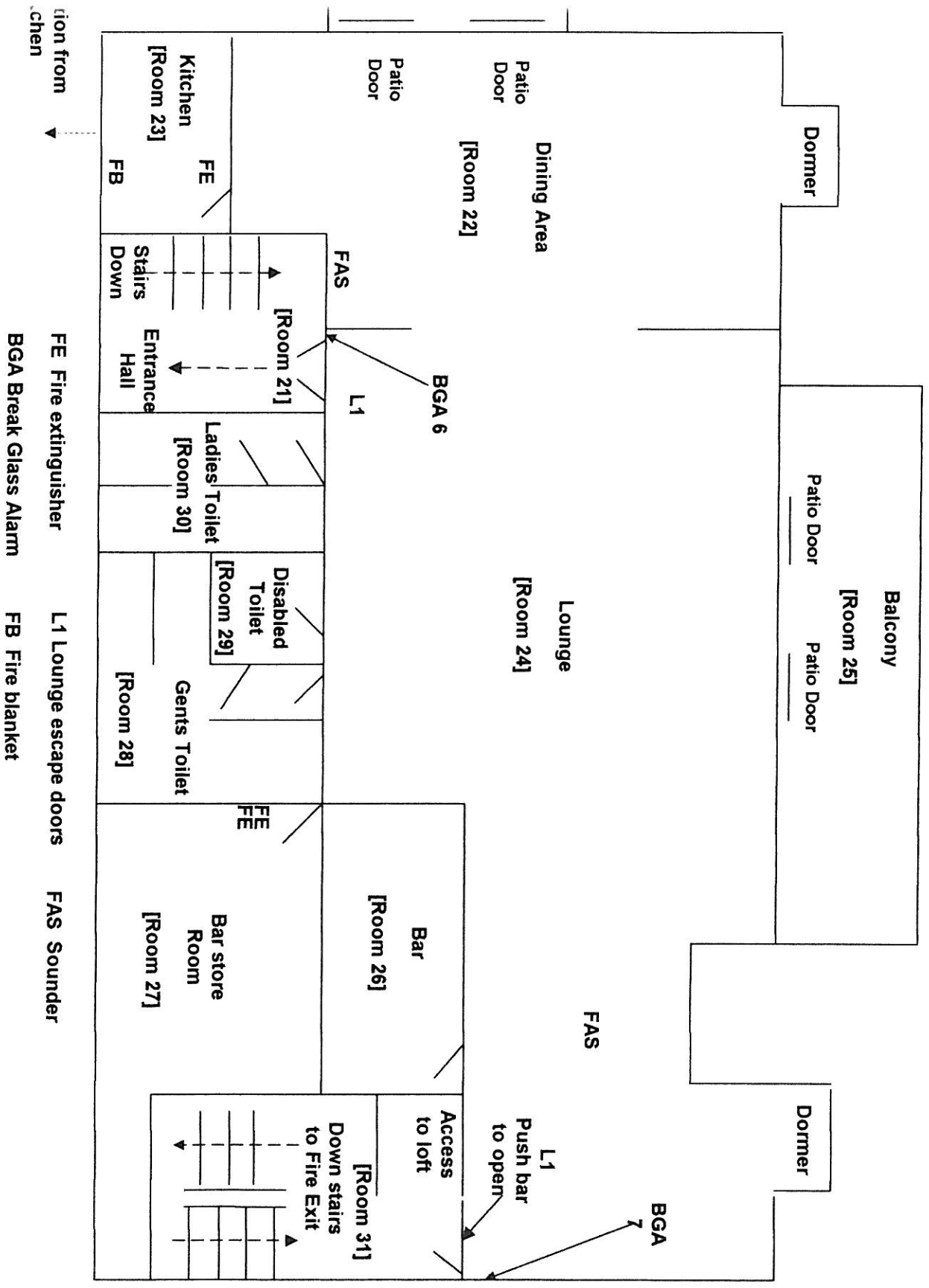
- GROUND FLOOR SERVICES
- DOOR SCHEDULE
- DOOR DETAILS
- WINDOW SCHEDULE
- WINDOW DETAILS

A2	07	1
A2	01	5
A2	05	5
A2	09	5
A3	09	5
A3	01	5
A3	01	5
A3	06	5

**THE ROUND FLOOR**  
**PRINT ROOM**  
**CLUB**  
**PRINT ROOM**  
**CLUB**  
**PRINT ROOM**  
**CLUB**

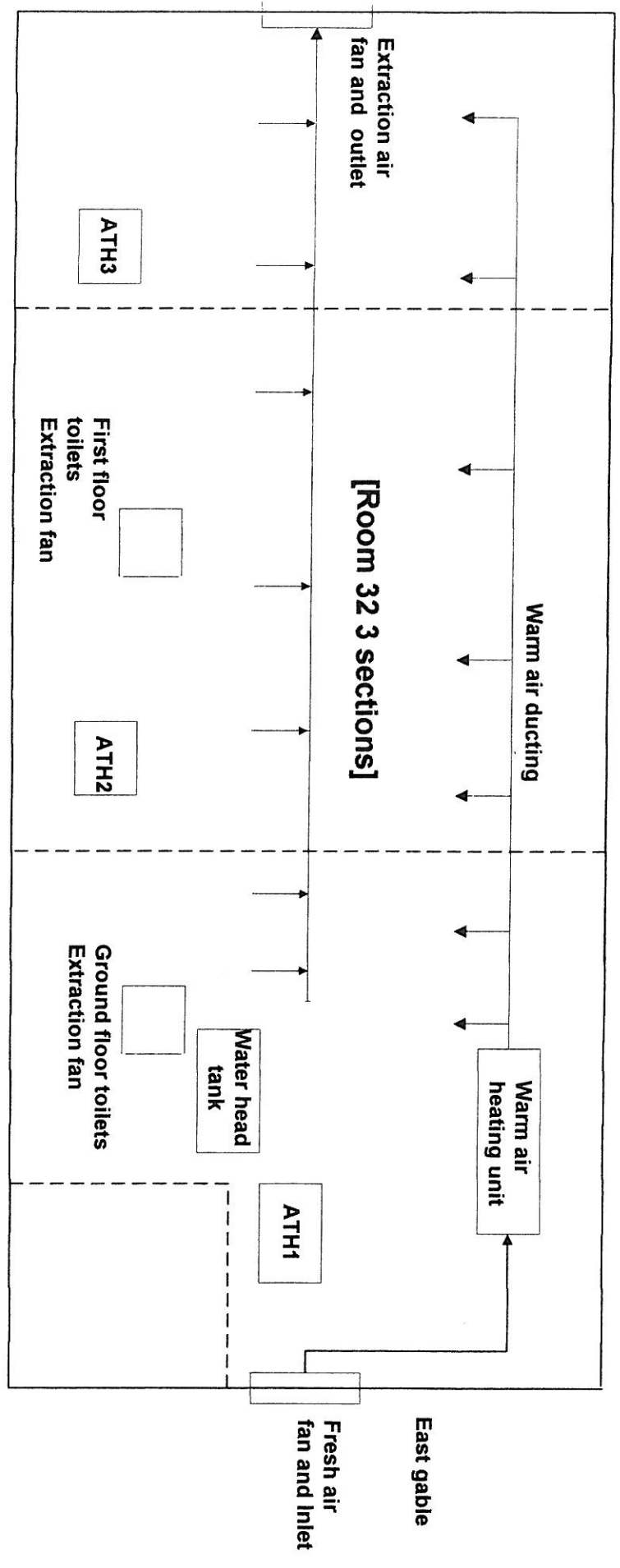


1st Floor Plan



- FE Fire extinguisher
- BGA Break Glass Alarm
- L1 Lounge escape doors
- FAS Sounder
- FB Fire blanket

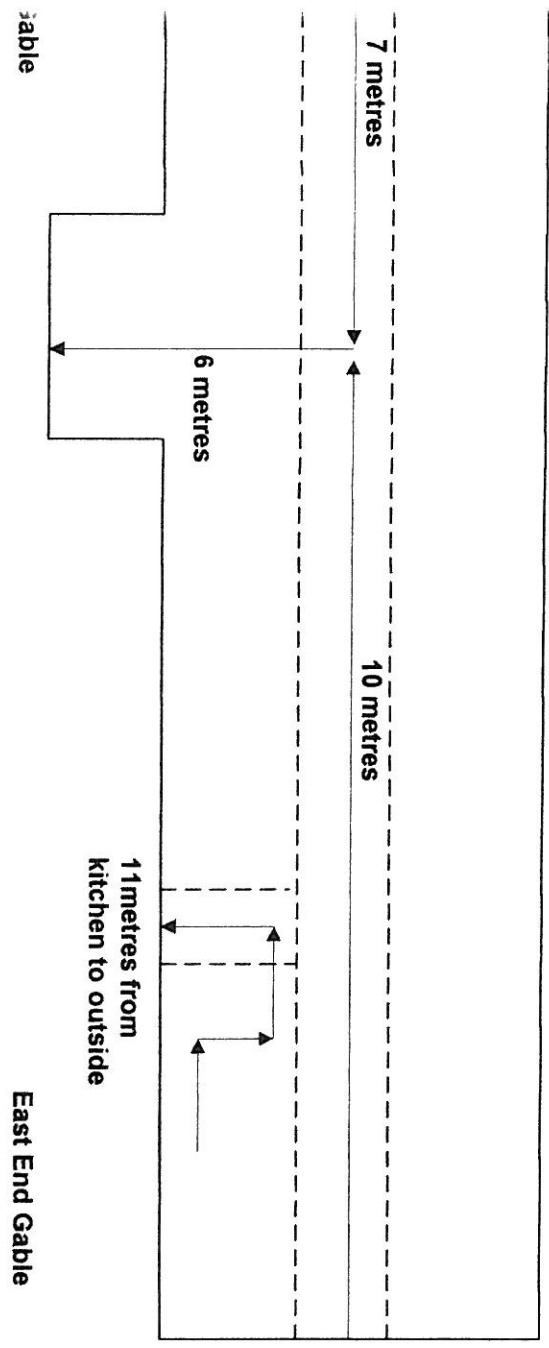
Attic space plan



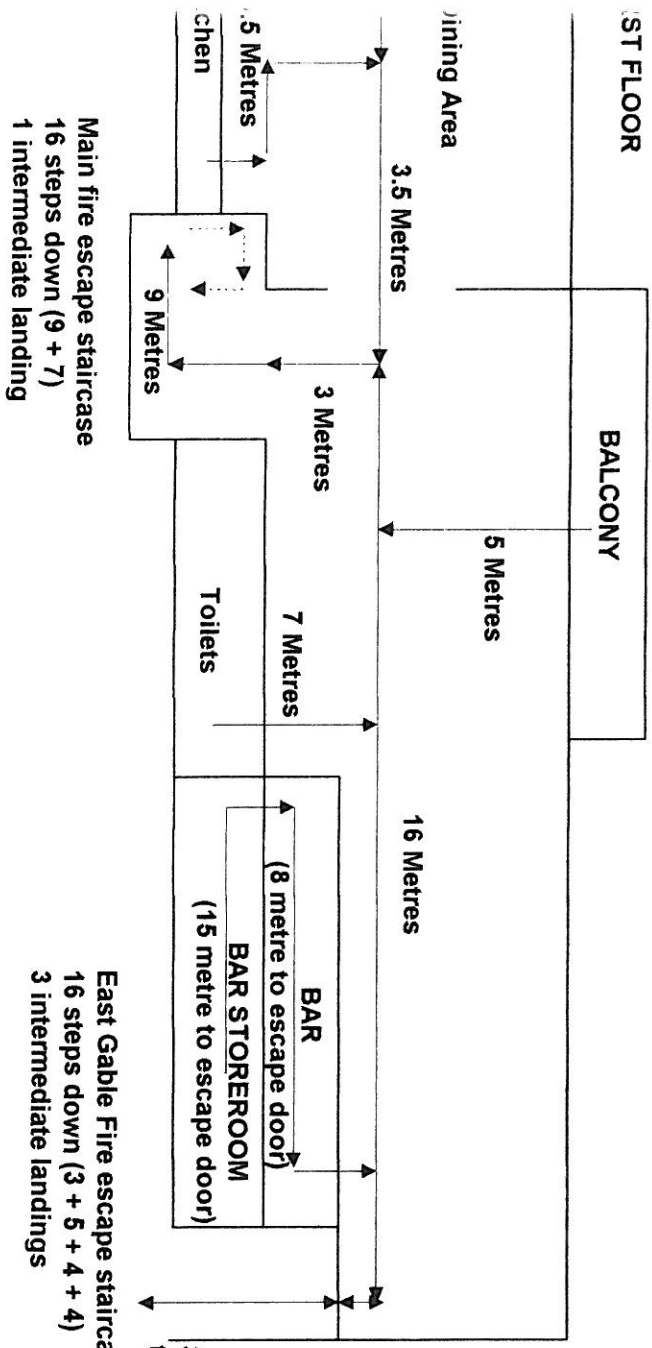
ATH Access hatch to loft

ROUND FLOOR

Escape Distances



Groundfloor Escape distances	
Metres	
13	Ex Bowler room
16	Ex Ladies Toilet
11	Ex flat kitchen



1st Floor Escape distances to top of escape staircases. (Metres)	
	by Main by East
25.5	end Ex Dining area
18.5	25.5
21	Ex kitchen
22	Ex Balcony
24	Ex toilets
27	Ex bar
34	Ex bar store
28	
19	
21	
8	
15	

Main fire escape staircase  
 16 steps down (9 + 7)  
 1 intermediate landing

East Gable Fire escape staircase  
 16 steps down (3 + 5 + 4 + 4)  
 3 intermediate landings

3 Metres to top of staircase