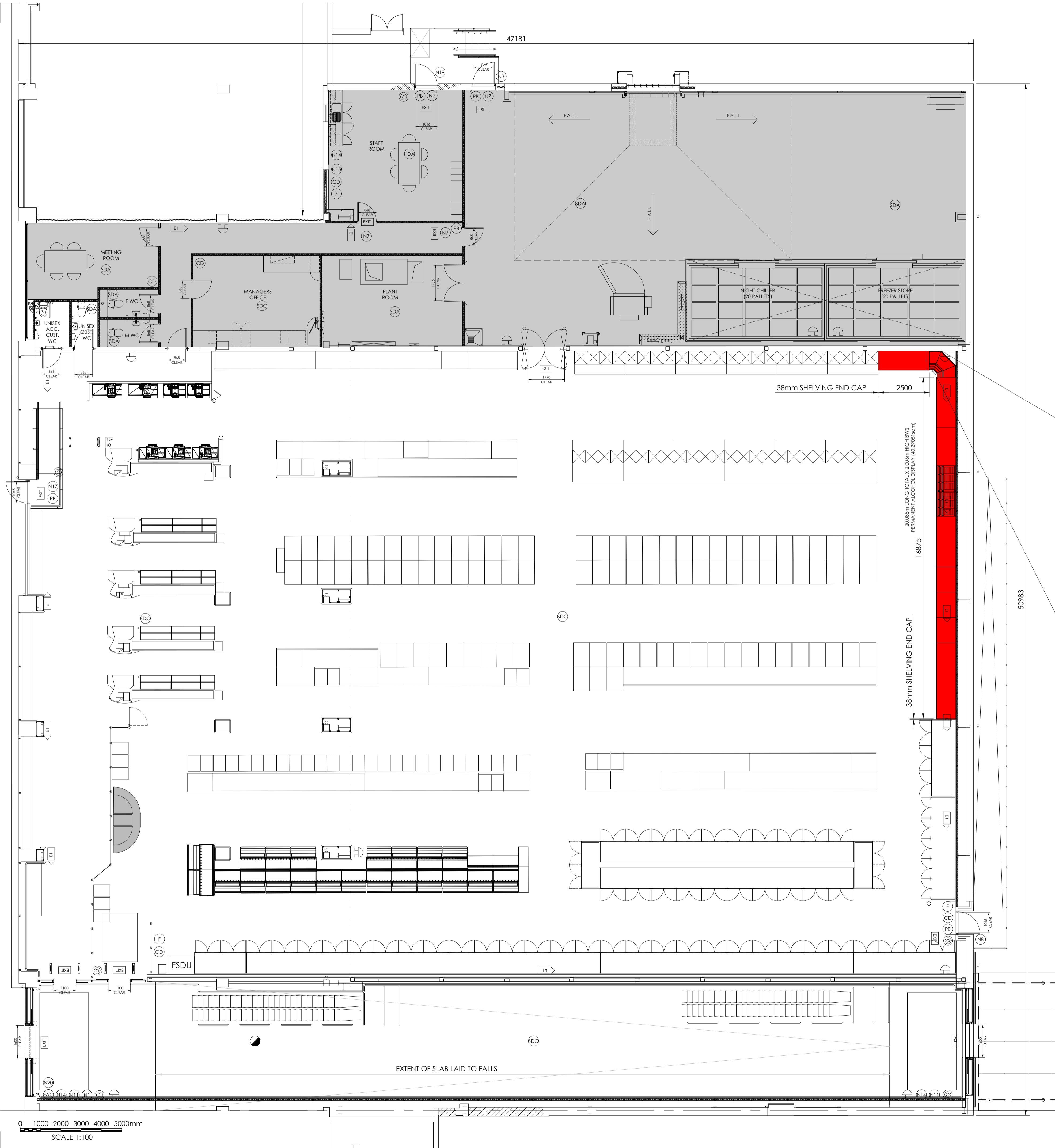
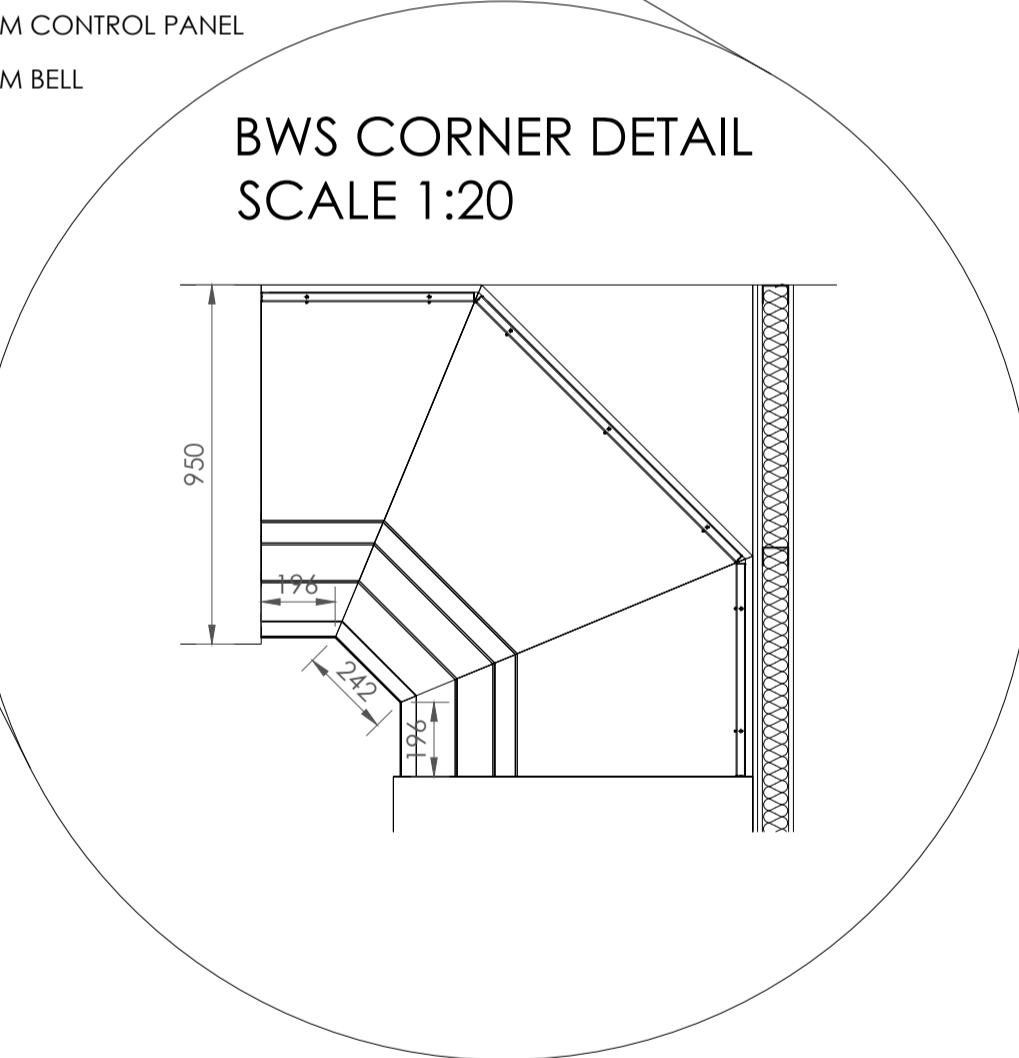


Rev	Date	Description	Drawn	Chkd
P01	11.11.24	First Issue	DJM	DJE



LEGEND

- (N1) GENERAL FIRE NOTICE, Ref 1/1033/JK
- (N2) "EMERGENCY EXIT ONLY" SIGN 450 x 100mm SELF ADHESIVE VINYL
- (N3) "KEEP CLEAR" SIGN 200 x 200mm SELF ADHESIVE VINYL
- (N4) DIRECTION ARROW SIGN WHITE ARROW ON BLUE CIRCLE ON WHITE SQUARE 200 x 200mm
- (N5) "FIRE EXIT KEEP CLEAR" SIGN 200 x 200mm MOUNTED EXTERNALLY
- (N6) "FIRE DOOR KEEP CLOSED" SIGN 80 x 80mm SELF ADHESIVE
- (N7) "FIRE DOOR KEEP CLOSED" SIGN 80 x 80mm
- (N8) "FIRE DOOR KEEP LOCKED" SIGN 80 x 80mm
- (N9) "AUTOMATIC DOORS" SIGN BLACK LETTERS ON WHITE 200 x 200 SELF ADHESIVE
- (N10) FIRE ALARM CALL POINT SIGN 80 x 80mm SELF ADHESIVE
- (N11) FIRE ALARM CALL POINT SIGN 150 x 200mm
- (N12) "FIRE EXTINGUISHER" SIGN 150 x 200mm
- (N13) "FIRE EXTINGUISHER" SIGN 150 x 200mm SELF ADHESIVE
- (N14) "NO SMOKING" SIGN 200 x 200mm
- (N15) "FIRE BLANKET" SIGN 75 x 210mm
- (N16) "MIND YOUR HEAD" SIGN 400 x 100mm
- (N17) "MIND THE STEP" SIGN 400 x 100mm
- (N18) "WAY IN / NO EXIT" SELF ADHESIVE VINYL SIGN
- (N19) "WAY OUT / NO ENTRY" SELF ADHESIVE VINYL SIGN
- (N20) "FIRE ALARM CONTROL PANEL" SIGN 200 x 150mm
- (E1) DIRECTIONAL FIRE EXIT SIGN 600 x 200mm LEFT HAND
- (E2) DIRECTIONAL FIRE EXIT SIGN 600 x 200mm RIGHT HAND
- (E3) DIRECTIONAL FIRE EXIT SIGN 300 x 100mm LEFT HAND
- (EXIT) ILLUMINATED FIRE EXIT SIGN
- (PB) PUSH BAR MECHANISM AND "PUSH BAR TO OPEN" SIGN 600 x 100mm (ON DOOR)
- (E) FIRE EXIT SIGN 705 x 150mm (ON DOOR)
- (C) FIRE ALARM CALL POINT (BREAK GLASS UNIT)
- (F) FOAM SPRAY AFF FIRE EXTINGUISHER
- (C2) CARBON DIOXIDE FIRE EXTINGUISHER
- (FB) FIRE BLANKET
- (SD) SMOKE DETECTOR
- (V) VOID MOUNTED SMOKE DETECTOR WITH CEILING MOUNTED INDICATOR
- (SDA) FIRE ALARM SMOKE DETECTOR & SOUNDER
- (HDA) FIRE ALARM HEAT DETECTOR & SOUNDER
- (ACP) FIRE ALARM CONTROL PANEL
- (B) FIRE ALARM BELL

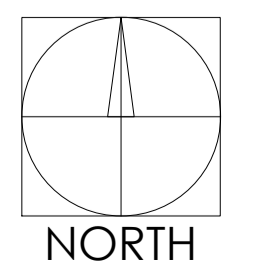
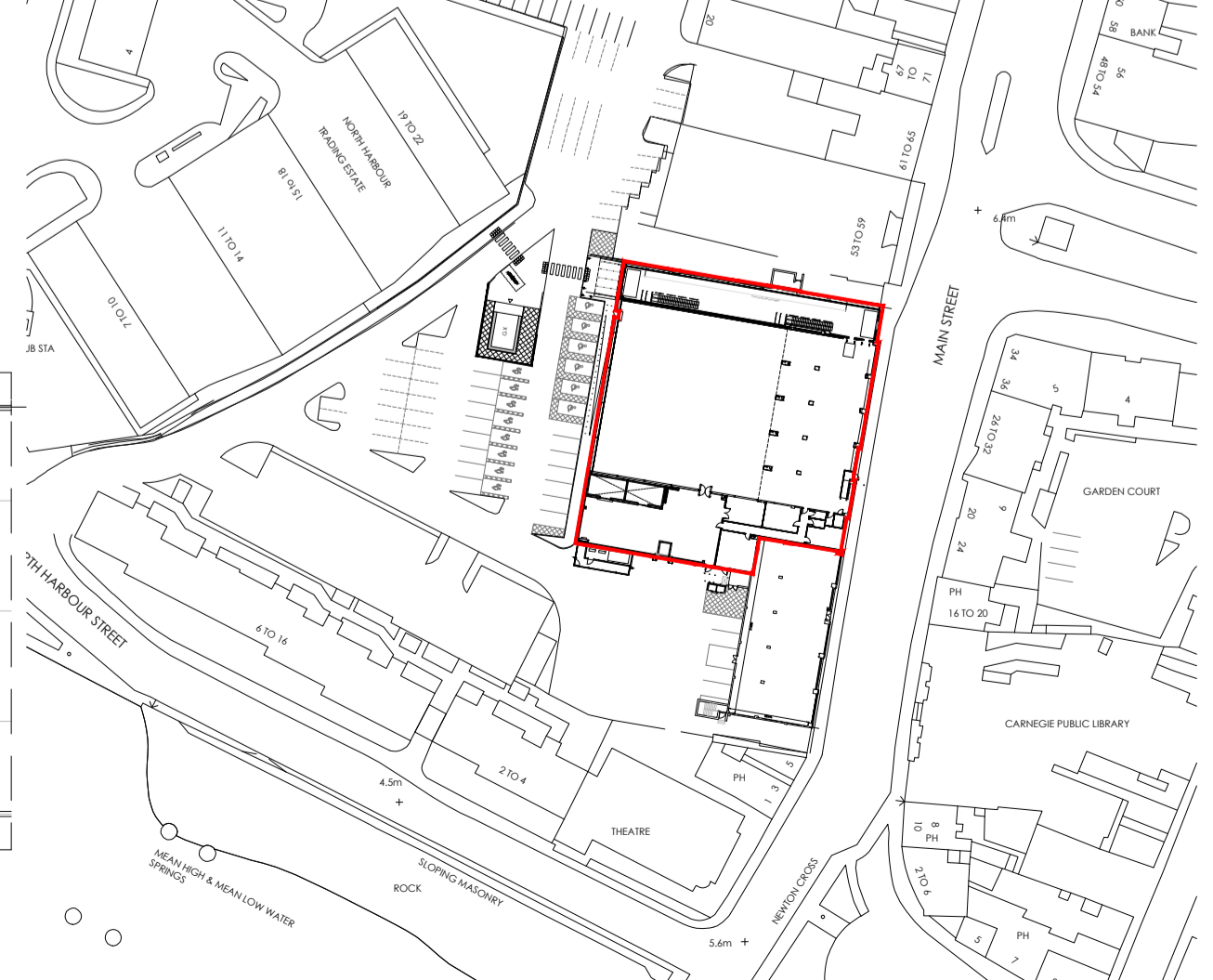


**ALCOHOL MERCHANDISE LEGEND:**

- PERMANENT ALCOHOL DISPLAY
- NON-PUBLIC AREA

NOTE:  
NO SPECIFIC AREA FOR USE OF CHILDREN ONLY.  
CHILDREN AND YOUNG PERSONS ARE PERMITTED IN ALL PUBLIC AREAS OF THE PREMISES.

KEY PLAN - 1:1250



0 1000 2000 3000 4000 5000mm  
SCALE 1:100

**THE HARRIS PARTNERSHIP**  
Architecture Masterplanning Interior Design  
www.harrispartnership.com

Wakefield Manchester Milton Keynes Reading London Harrogate

Client  
**ALDI STORES LTD.**

Project Title  
**PFE RECONFIGURATIONS**

33 MAIN STREET,  
AYR, KA8 8BU

Drawing Title  
**ALCOHOL LICENCE PLAN**

Drawn	Checked	Scale	BM Status	Date
DNM	DJE	1:100	S2	11.11.24

Drawing Status	Rev.	THP Project No
INFORMATION	P01	21401

Project No.	Originator	Volume	Level	Type	Role	Number
79-E0948	THP	XX	00	DR	A	0307